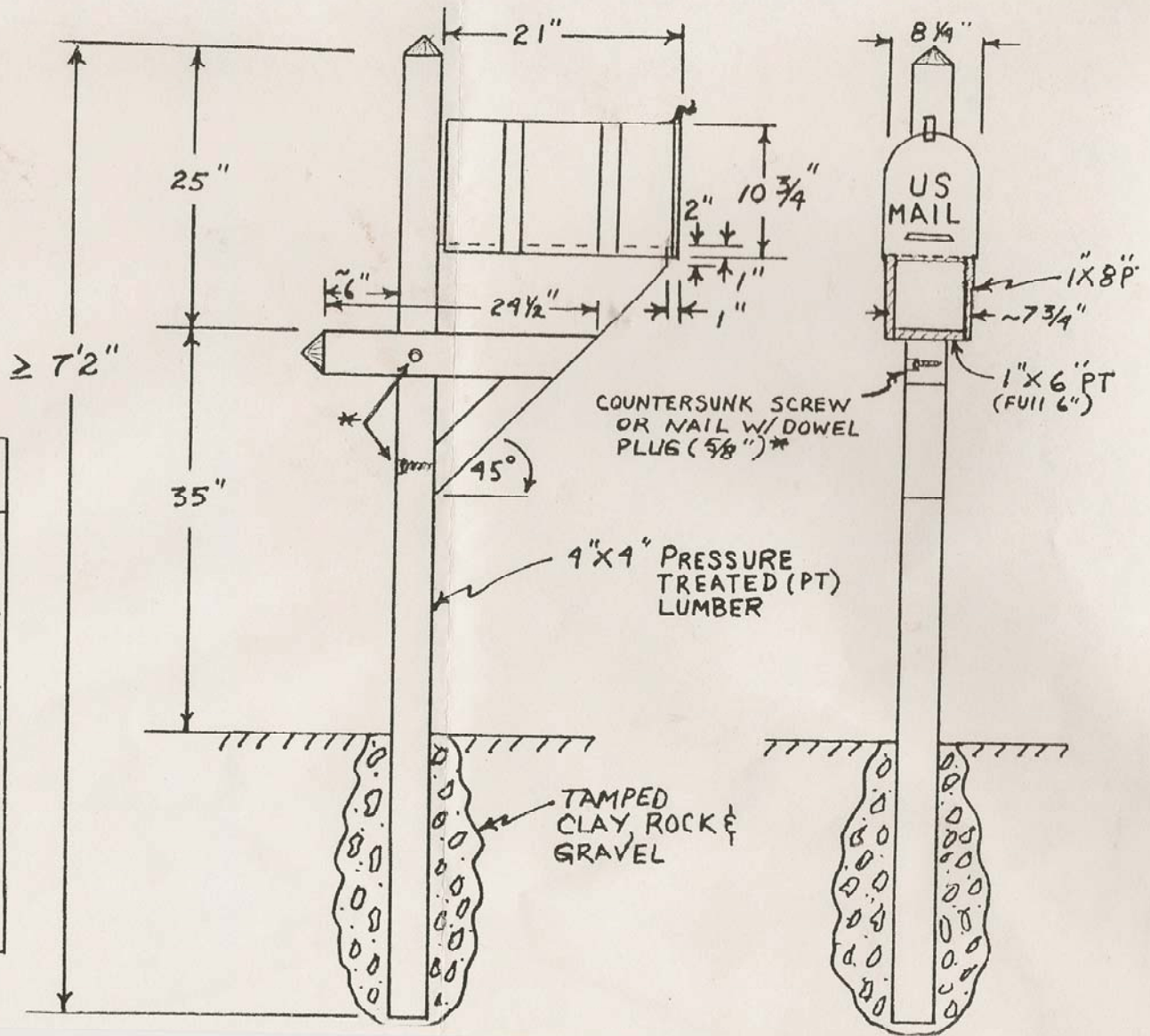


A COMMON MAILBOX POST DESIGN



MATERIALS LIST

- STD. U.S. MAILBOX - 1
- 4" X 4" X 8' PT POST - 1
- 4" X 4" X 4' PT POST - 1
- 1" X 8" X 4' PT BD - 2
- 1/4" X 2 1/2" LAG SCREW (NOTE: COUNTERSINK HOLE 3/4" MAX) - 2
- GALVANIZED NAILS OR SCREWS - AS REQ'D
- 1 QT WOOD STAIN OR PRESERVATIVE OF CHOICE.
- 5/8" DOWEL - 1